

Cathodic Protection Rectifier Utility Air Series:

Integrated Rectifier Technologies Utility Series rectifier provides a quality product specifically designed to meet the requirements of our clients. Used primarily in small utility and service station applications; these units are supplied with a compact design and limited optional features.

Standard Features:



- ◆ Overload / short protection provided by fully magnetic trip circuit breaker and fusing
- ◆ Silicon diode rectification bridge with surge protection
- ◆ Single 2½ " switched DC metering, Accuracy +/- 2%
- ◆ Standard MOV AC and DC lightning protection on all rectifiers
- ◆ -50 to +45 Celsius operating ambient
- ◆ One year Warranty
- ◆ Limited line of options available
- ◆ CSA approved

- ◆ Single door cabinet with removable phenolic panel
- ◆ Nema 3R rated cabinet, lockable
- ◆ Available in 14 gauge polyester powder coated steel
- ◆ All cabinet hardware stainless steel, all brass/copper hardware has electroless nickel plated finish
- ◆ Available with pole or wall mounting
- ◆ Single-phase input 115 VAC available
- ◆ Variable transformer adjustment
- ◆ Transformer min. 95% efficient, Class H temperature rated



INTEGRATED RECTIFIER TECHNOLOGIES, INC.

Distributed by:
Interprovincial Corrosion Control Co. Ltd.
930 Sheldon Court
Burlington, Ontario L7L 5K6
Telephone: (905) 634 7751
Fax: (905) 333 4313

Utility Air Series Model Coding

UVASAS 40-8M

UTILITY VARIABLE
TRANSFORMER MODEL

AIR-COOLED TYPE

SILICON RECTIFIER TYPE

AC INPUT

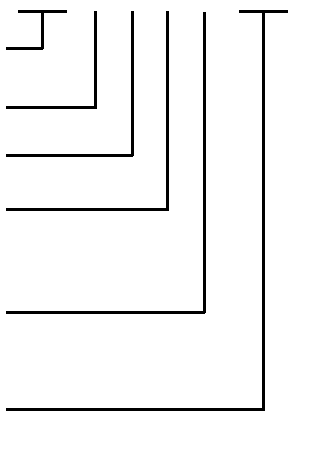
A - 115 VAC C - 230 VAC

AC PHASE

S - SINGLE PHASE

DC VOLTAGE RATING

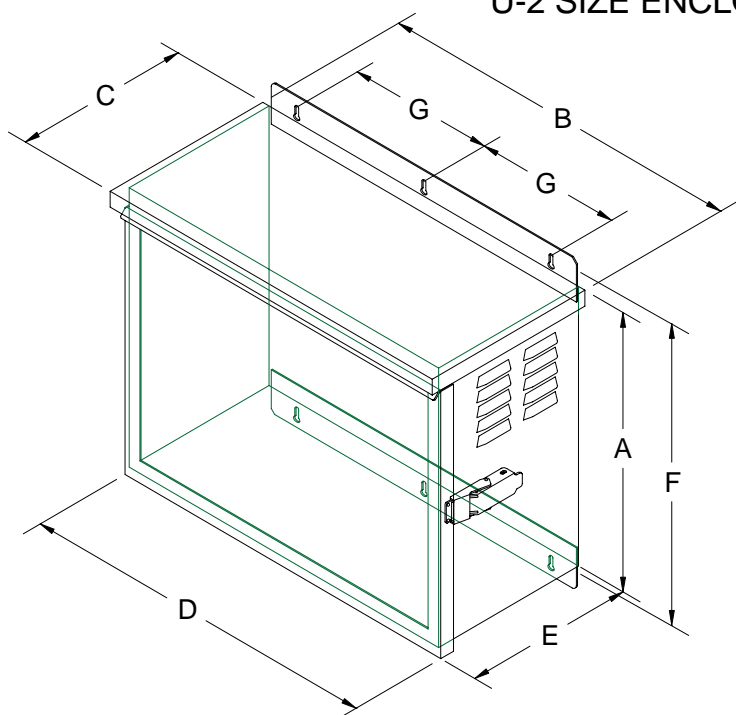
DC CURRENT RATING



COMMON OPTIONAL FEATURES

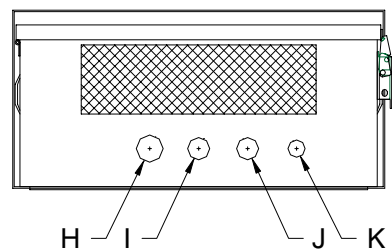
- D - UPGRADED DIODE VOLTAGE (PIV) RATING
- L - EXTRA DC OUTPUT LUG TERMINALS
- M - EXTRA DC OUTPUT METER
- O_b - SEALED METER SWITCH
- R - POTENTIAL METER
- S - NON-STANDARD SURGE PROTECTION (AC or DC)
- Y - SPECIAL TEST, DOCUMENT OR LABEL REQUIREMENT
- Z - NON-LISTED OPTIONAL FEATURE (consult factory)

U-2 SIZE ENCLOSURE SHOWN



NOTE: ENCLOSURES ARE SUPPLIED WITH
(6) KEYHOLES SIZED FOR A MAXIMUM
#10 (0.215") MOUNTING BOLT (U-1 & U-2)
AND 1/2 (0.50") MOUNTING BOLT (U-3)

BOTTOM VIEW



ENCL. SIZE	ENCLOSURE DIMENSIONS (")										
	A	B	C	D	E	F	G	H	I	J	K
U-1	12.125	13.000	7.000	12.625	6.375	13.250	4.500	1.125 (1) 3/4" KO	N/A	0.875 (1) 1/2" KO	N/A
U-2	14.125	19.000	9.000	18.625	8.375	15.250	7.500	1.375 (1) 1" KO	1.125 (1) 3/4" KO	1.125 (1) 3/4" KO	0.875 (1) 1/2" KO
U-3	24.000	16.250	10.500	16.375	9.750	26.500	7.000	0.875 (1) 1/2" KO	N/A	1.375 (1) 1" KO	1.734 (1) 1 1/4" KO