

TELPRO ROD ANODES DATA SHEET



Titanium Electrode Products Companies, "TELPRO," are manufacturers of mixed metal oxide anodes for Cathodic protection.

TELPRO Rod Anodes are manufactured using titanium, which meets ASTM B348 Grade 1 or 2 standards, which has been coated with **TELPRO** Mixed Metal Oxide coating.

TELPRO MMO coating consists of IrO₂/Ta₂O₅ and is suitable for use in all cathodic protection applications. Because mixed metal oxide anodes have an extremely low consumption rate, the titanium substrate remains constant throughout the design life of the anode.

Based upon accelerated life testing, conducted by an independent laboratory, **TELPRO MMO** coating has been proven to be equivalent or superior to other mixed metal oxide coatings which are currently being used; a copy of this test report is available upon request.

Strict quality control procedures are followed throughout the entire coating process, to guarantee proper coating adhesion and loading. Also, **TELPRO** products are tested using an X-Ray Fluorescence Spectrometer, to ensure production of the highest quality product, which is fundamental in every step of the manufacturing process.

APPLICATIONS

TANK INTERNALS

PUMPS

CONDENSERS & WATER BOXES

PIPE INTERNALS

WATER INTAKES

TELPRO Rod Anodes are available in diameters of 1/8" (3.175mm), 1/4" (6.35mm), 1/2" (12.7mm), and 3/4" (19mm), as well as many other sizes which are all available upon request.

PERFORMANCE DATA AND RATINGS

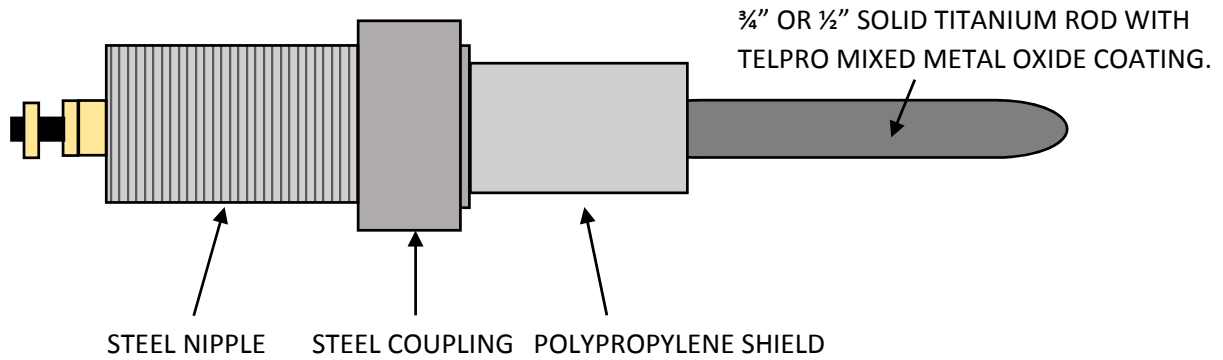
Environment	Maximum Current Density	Lifetime
CARBONACEOUS BACKFILL	4.6 A/ft ² (50 A/m ²)	20 years
CALCINED PETROLEUM COKE BACKFILL	9.3 A/ft ² (100 A/m ²)	20 years
FRESHWATER	9.3 A/ft ² (100 A/m ²)	20 years
BRACKISH WATER	9.3-27.8 A/ft ² (100-300 A/m ²)	20 years
SEAWATER	55.8 A/ft ² (600 A/m ²)	20 years

Lifetimes stated are nominal, we can supply Amps / life different to stated standards on request

Distributed By:
Interprovincial Corrosion Control Co. Ltd.
930 Sheldon Court
Burlington, Ontario L7L 5K6
Telephone: (905) 634 7751
Fax: (905) 333 4313
Website: <http://www.Rustrol.com>

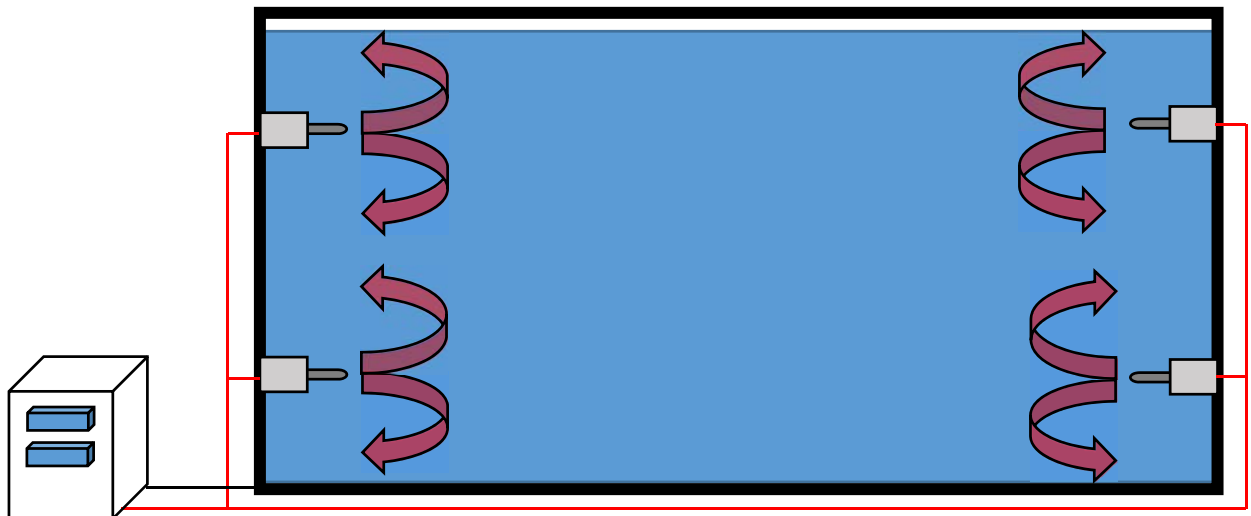
TELPRO ROD ANODES DATA SHEET

LAYOUT OF A TYPICAL ROD ANODE ASSEMBLY.

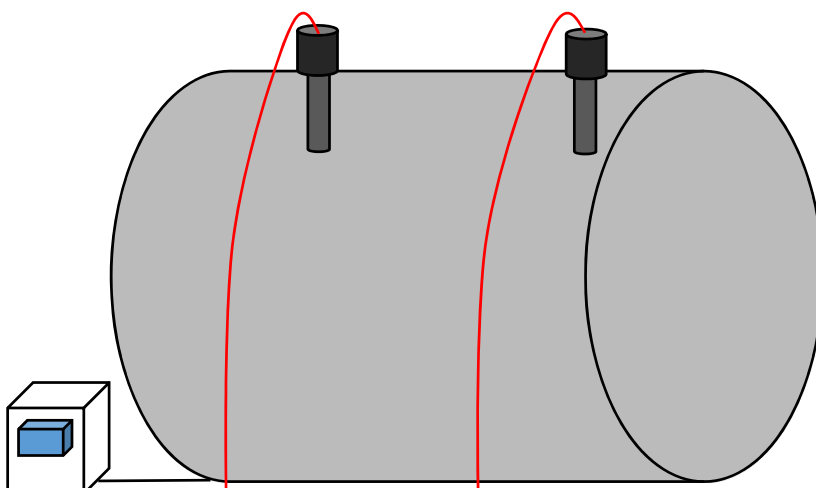


WATER BOX / TANK APPLICATIONS

"THRU WALL" ROD ANODE ASSEMBLY CAN BE EASILY INSTALLED, RETRIEVED AND REPLACED AT END OF SERVICE LIFE



PIPELINE INTERNAL PROTECTION APPLICATIONS



TELPRO ROD ANODES CAN BE FITTED TO PROTECT PIPELINE INTERNALS.

TYPICALLY APPLIED TO LARGE DIAMETER WATER COOLING INTAKE PIPES

RETRIEVABLE ACCESS FITTINGS CAN BE USED TO ENABLE INSPECTION, REPAIR AND REPLACEMENT AT END OF SERVICE LIFE