

- ***Interchangeable Components for Changing Job Requirements***
- ***Long Wearing, Durable, Lightweight***
- ***All Polyurethane Construction***

At a minimum Super Pig lasts and wears 30% longer than the competition. The Super Pig can be redressed in the field 85% faster than conventional metal body pigs. This feature alone saves down time and requires fewer field support personnel and equipment. Super Pig's unique construction and aggressive cup designs adapt rapidly to changing environments such as out of round pipe, dents and a broad spectrum of pipe wall thicknesses and tight bends. Super Pig wears evenly

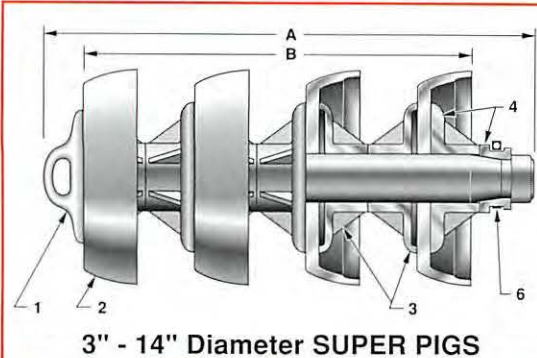
and uniformly because of balanced and even weight distribution. This allows for periodic rotation of component parts to gain additional mileage. Whether your pigging requirements are cleaning, brushing, paraffin removal, dewatering, gauging or descaling in standard, heavy wall, super heavy wall or multi-size pipelines, Super Pig cups are sized for world wide use and applications in diameters from 3" to 60" inches.



Distributed by:
Interprovincial Corrosion Control Co. Ltd.
930 Sheldon Court
Burlington, Ontario L7L 5K6
Telephone: (905) 634 7751
Fax: (905) 333 4313



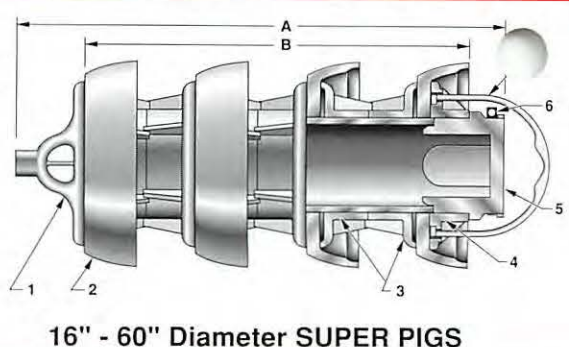
SUPER DESIGNS • SUPER EFFICIENT • SUPER



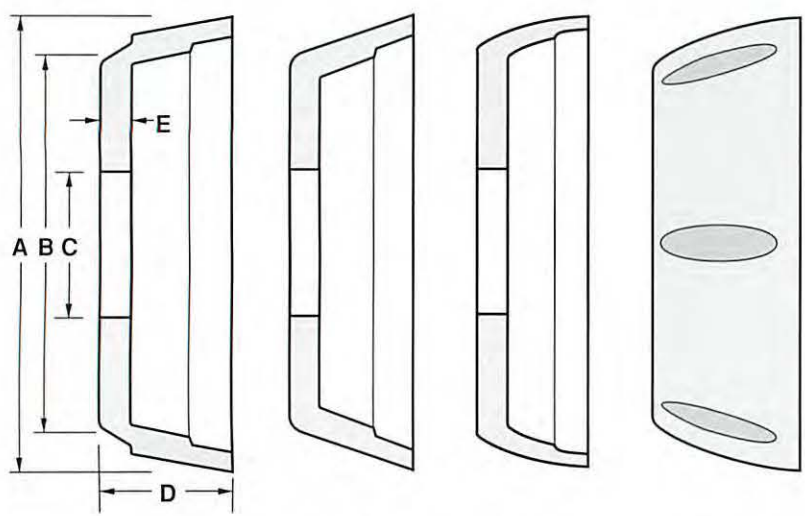
3" - 14" Diameter SUPER PIGS

COMPONENT PARTS LIST

ITEM	DESCRIPTION	REQ'D
1	Body Post	1
2	Scraper Cups	4
3	Spacers	6
4	Retainer	1
5	Plug (16"- 60")	1
6	Clamp	1
7	Magnet (optional)	1
8	Pigtail (opt. 16"-60")	1

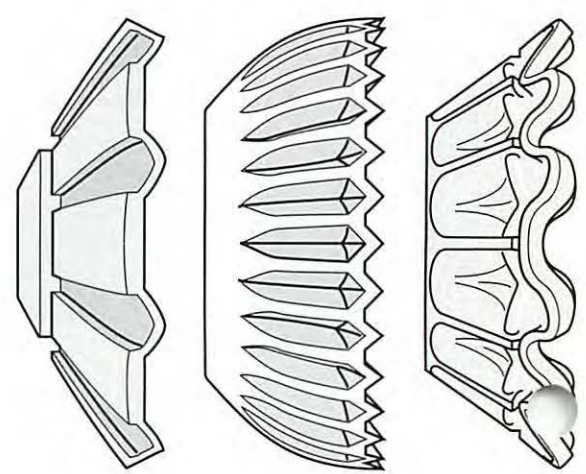


16" - 60" Diameter SUPER PIGS



SERIES I SERIES II HW SERIES III SERIES IV

STANDARD CUPS



SERIES I SERIES II SERIES III

MULTI SIZE CUPS

SUPER PIG STANDARD CUPS 3" TO 60" (NOMINAL DIMENSIONS)*

SIZE INCHES	A INCHES	B INCHES	C INCHES	D INCHES	E INCHES
3	3.400	2.25	1	1.8125	.50
3HW	3.000	2.625	1	1.6875	.50
4	4.500	3.25	1	2.03125	.50
4HW	4.125	3.3125	1	2.03125	.50
5	5.250	4.5	1	2.03125	.50
6	6.650	4.875	1.5	2.75	.625
6HW	6.400	5.125	1.5	2.75	.625
8	8.680	6.875	2	2.8125	.625
8HW	8.250	6.875	2	2.8125	.625
10	10.750	9.75	2.5	3.0625	.875
10HW	10.375	9.75	2.5	3.0625	.875
12	12.850	10.5	3	3.375	.875
12HW	12.250	11.375	3	3.625	.875
14	14.030	12	3	3.75	.875
16	15.830	13.375	7	3.75	.875
16HW	15.500	13.375	7	3.75	.875
18	17.750	15.5	7	4	.875
20	19.875	16.5	7	4.625	1.5

SIZE INCHES	A INCHES	B INCHES	C INCHES	D INCHES	E INCHES
20HW	19.250	16.5	7	4.625	1.5
22	21.750	19.25	7	4.625	1.5
24	24.000	20.375	10.75	4.75	1.25
26	25.9375	22.5	10.75	5.25	1.25
28	28.750	26	12.75	5.75	1.75
30	29.750	26.375	12.75	5.75	1.75
30HW	30.500	27	12.75	5.75	1.75
32	31.750	29	12.75	5.75	1.75
34	34.250	29.25	12.75	5.75	1.75
36	36.500	34	12.75	5.75	1.75
40	40.250	38.25	20	6.875	2
42	42.250	38	20	7	2
48	48.250	42	20	7	2
56	56.000	55	30	10	2.5
60	59.500	55	30	10	2.5

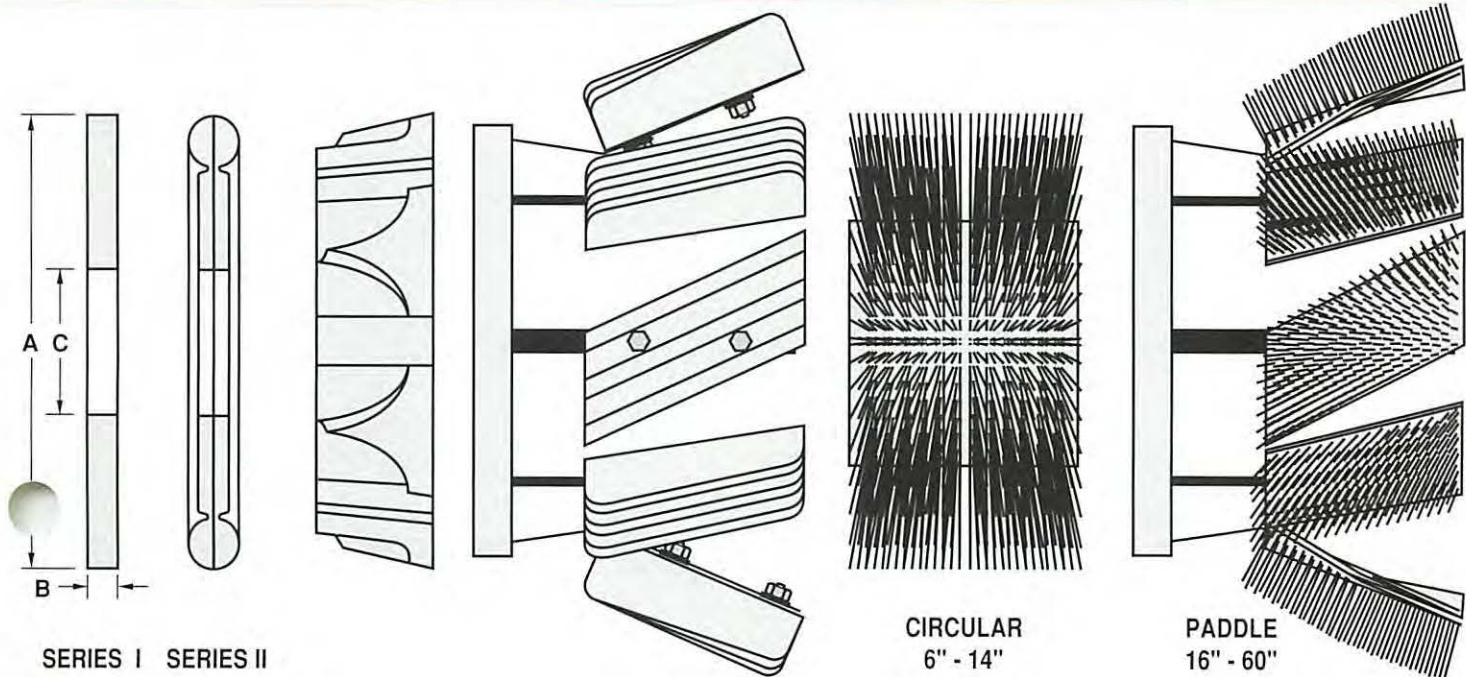
* FOR ADDITIONAL SIZES AND TYPES OF CUPS, CONTACT FACTORY.

FLEXIBLE • SUPER RESULTS • SUPER SIZES

SUPER PIG * NOMINAL DIMENSIONS

SIZE	A	B	WT. LBS.	SIZE	A	B	WT. LBS.	SIZE	A	B	WT. LBS.
3"	12.0"	10.0"	2	16"	34.0"	28.5"	92	32"	52"	46.0"	440
4"	15.0"	12.0"	3	18"	34.0"	29.0"	105	34"	52"	46.0"	480
5"	15.0"	12.0"	5	20"	34.0"	29.5"	157	36"	52"	46.0"	536
6"	17.5"	14.0"	10	22"	34.0"	29.5"	185	40"	77"	65.0"	1000
8"	21.0"	16.0"	20	24"	41.0"	37.0"	223	42"	77"	65.0"	1050
10"	24.0"	19.0"	31	26"	41.0"	37.0"	242	44"	77"	66.0"	1107
12"	30.0"	24.0"	50	28"	52.0"	45.0"	320	48"	77"	66.0"	1200
14"	30.0"	24.0"	56	30"	52.0"	46.0"	400				

*Patent # 275475



SERIES I SERIES II

DISCS

PARAFFIN CUPS & BLADES

BRUSHES

MULTI-SIZE

SIZE	SERIES
4" X 6"	I & II
6" X 8"	I & II
6" X 10"	I & III
8" X 10"	I, II & III
8" X 12"	I & II
10" X 12"	I & II
10" X 16"	II
12" X 16"	I
16" X 20"	II
18" X 20"	I
20" X 24"	III
20" X 26"	II
20" X 30"	III
22" X 24"	I
24" X 26"	I
30" X 36"	II
32" X 36"	II

DISCS

SIZE IN.	A IN.	B IN.	C IN.
3	3.25	.50	1.0
4	4.25	.50	1.0
6	6.50	.625	1.5
8	8.313	.625	2.0
10	10.313	.875	2.5
12	12.50	.875	3.0
14	13.75	.875	3.0
16	15.688	1.063	7.0
18	17.813	1.00	7.0
20	19.563	1.50	7.0
22	21.75	1.50	7.0
24	24.25	1.25	10.75
26	25.813	1.25	10.75
28	28.938	.875	12.75
30	30.625	1.75	12.75
36	35.50	1.75	12.75

PARAFFIN CUPS

SIZE IN.	A IN.	B IN.
4	4.938	3.5
6	7.25	5.0
8	9.5	7.25
10	11.5	9.25
12	13.325	10.0
16	17.0	13.25
18	19.0	15.0
20	21.0	17.0
24	25.0	20.0

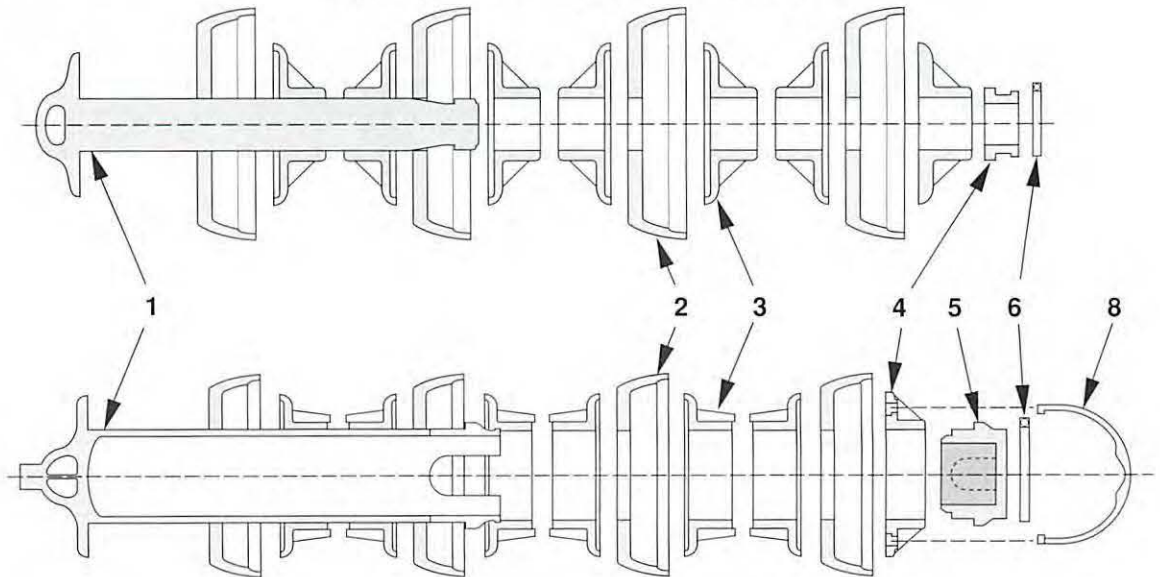
BLADES** & BRUSHES

SIZE IN.	A IN.	B IN.	No. of BRUSHES
6	17.5	14.0	2
8	21.0	16.0	2
10	24.0	19.0	2
12	30.0	24.0	2
14	30.0	24.0	2
16	34.0	28.5	7
18	34.0	29.0	8
20	34.0	29.5	6
22	34.0	29.5	7
24	41.0	37.0	7
26	41.0	27.0	8
28	41.0	45.0	8
30,32,34	52.0	46.0	9
36	52.0	46.0	11
40, 42	77.0	65.0	12
48	77.0	66.0	14
56	80.0	75.0	16
60	80.0	75.0	18

** AVAILABLE IN 14" - 60" Dia.

FOR 3" - 14" DIAMETER PIGS

**SOLID
POST
DESIGN**



**HOLLOW*
POST
DESIGN**

FOR 16" - 60" DIAMETER PIGS

*EXTENDED POSTS AVAILABLE FOR SPECIAL APPLICATIONS

SUPER PIG COMPONENT PARTS LIST

ITEM	DESCRIPTION	QUANTITY
1	Body Post	1
2	Scraper Cups	4
3	Spacers	6
4	Retainer / Spacer	1

ITEM	DESCRIPTION	QUANTITY
5	Plug (16"- 60")	1
6	Clamp	1
7	Magnet (optional)	1
8	Pigtail (optional 16"-60")	1

OPTIONAL MAGNETIC SUPER PIGS

