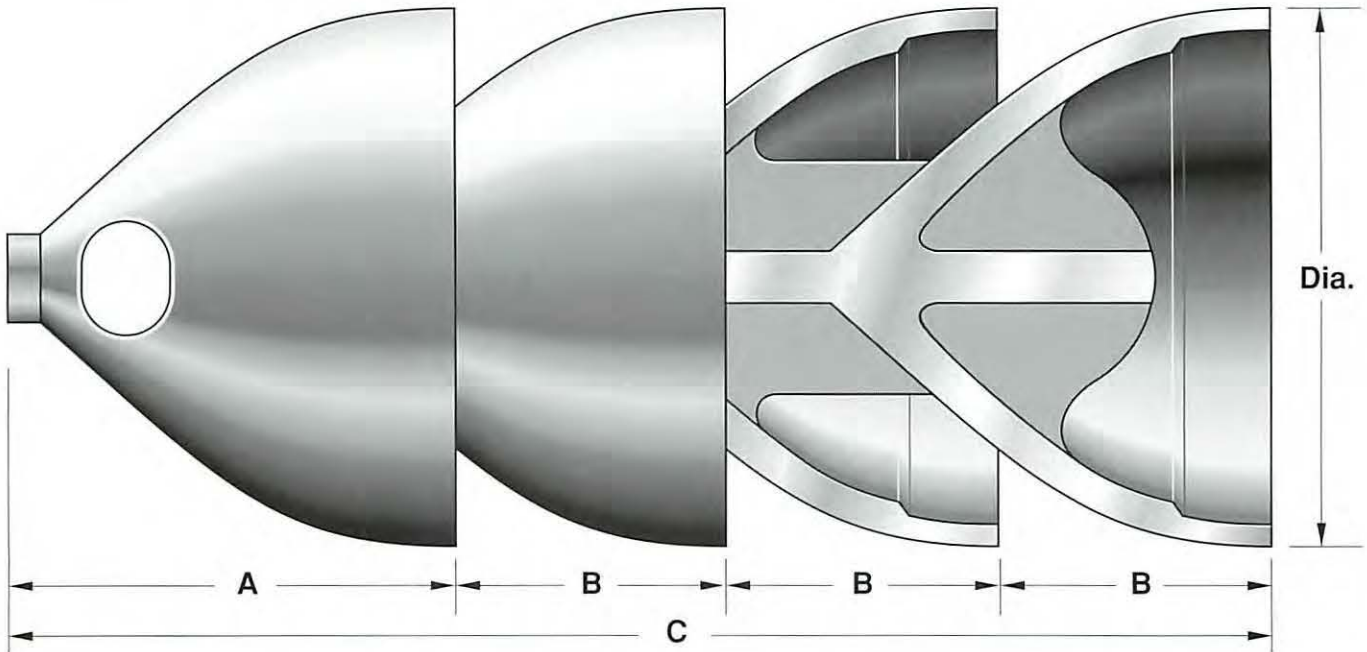


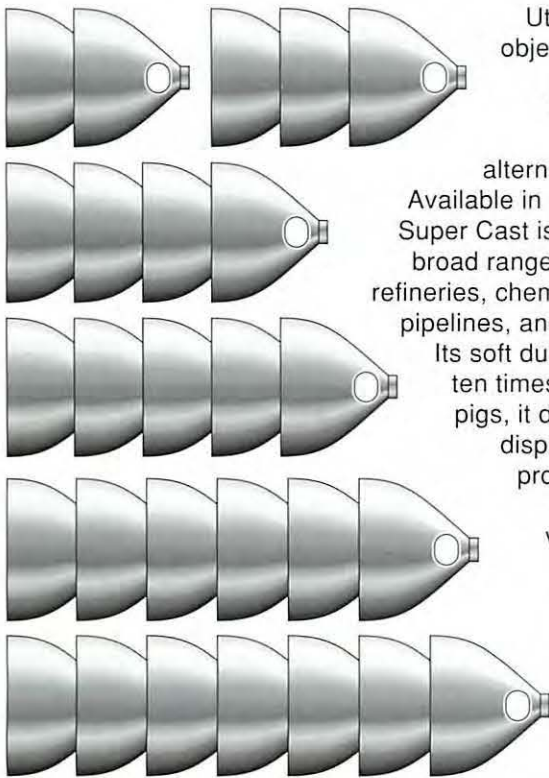


**S.U.N. Engineering, Inc.**

# SUPER CAST PIG



SUPER CAST PIG



Utilizing the same design objectives and construction material, the one piece Super Cast pig offers a logical cost effective alternative to poly foam pigs. Available in diameters from 2" - 12" Super Cast is the ideal product for a broad range of applications around refineries, chemical plants, oil and gas pipelines, and municipal utility lines. Its soft durometer allows it to last ten times longer than poly foam pigs, it does not have the same disposal and contamination problems, it can negotiate 1.5R bends and bridge valves and tees without buckling, tearing or shredding. Super Cast always exceeds task requirements and it takes fewer pigs to do it, run after run after run.

NO. OF CUPS	DIA. (inches)	A (inches)	B (inches)	C (inches)
2	2.25	2.00	2.25	4.50
3	3.40	3.25	2.50	8.25
	4.35	3.50	3.00	9.50
	6.50	5.00	3.75	12.50
	8.50	5.50	4.75	15.00
	10.72	7.00	5.50	18.00
4	12.75	7.50	6.75	21.00
	3.40	3.25	2.50	10.75
	4.35	3.50	3.00	12.50
	6.50	5.00	3.75	16.25
	8.50	5.50	4.75	19.75
5	10.72	7.00	5.50	23.50
	12.75	7.50	6.75	27.75
	4.35	3.50	3.00	15.50
	6.50	5.00	3.75	20.00
	8.50	5.50	4.75	24.50
6	10.72	7.00	5.50	29.00
	12.75	7.50	6.75	34.50
	6.50	5.00	3.75	23.75
	8.50	5.50	4.75	29.25
	10.72	7.00	5.50	34.50
7	12.75	7.50	6.75	41.25
	6.50	5.00	3.75	27.50
	8.50	5.50	4.75	34.00
	10.72	7.00	5.50	40.00
	12.75	7.50	6.75	48.00



Distributed by:  
 Interprovincial Corrosion Control Co. Ltd.  
 930 Sheldon Court  
 Burlington, Ontario L7L 5K6  
 Telephone: (905) 634 7751  
 Fax: (905) 333 4313

