

CABLE LENGTH RECOMMENDED NOT TO EXCEED 2 METRES IN EITHER DIRECTION TO AND FROM THE CATHODIC ISOLATOR® MODEL SSP*

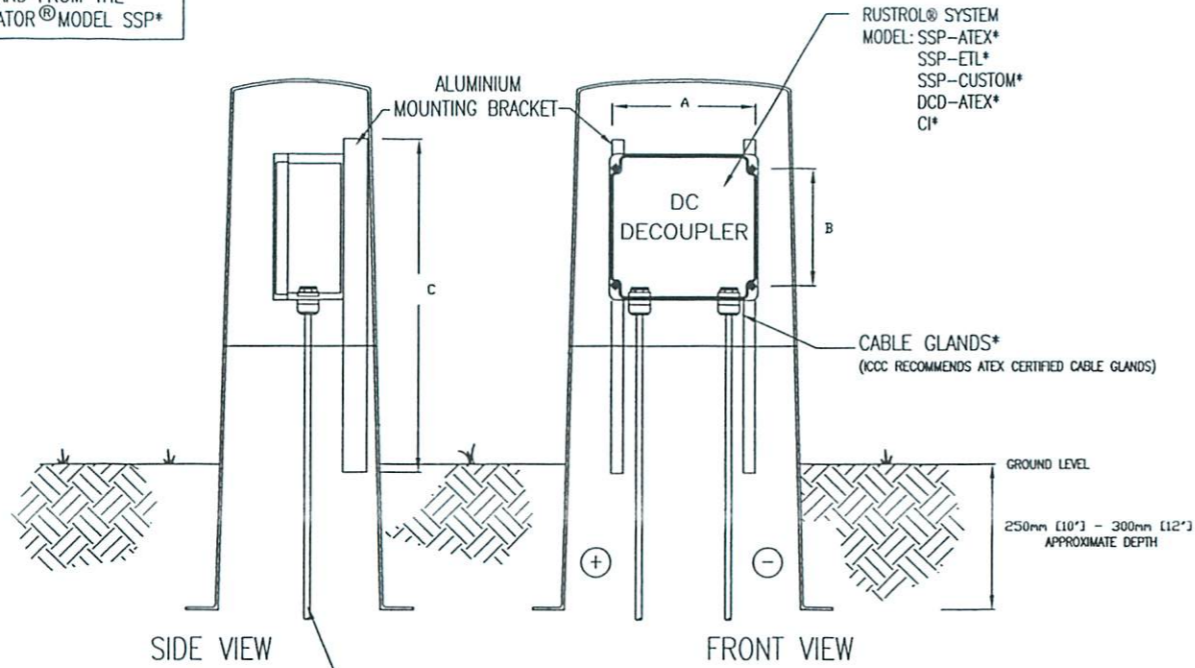


FIGURE A

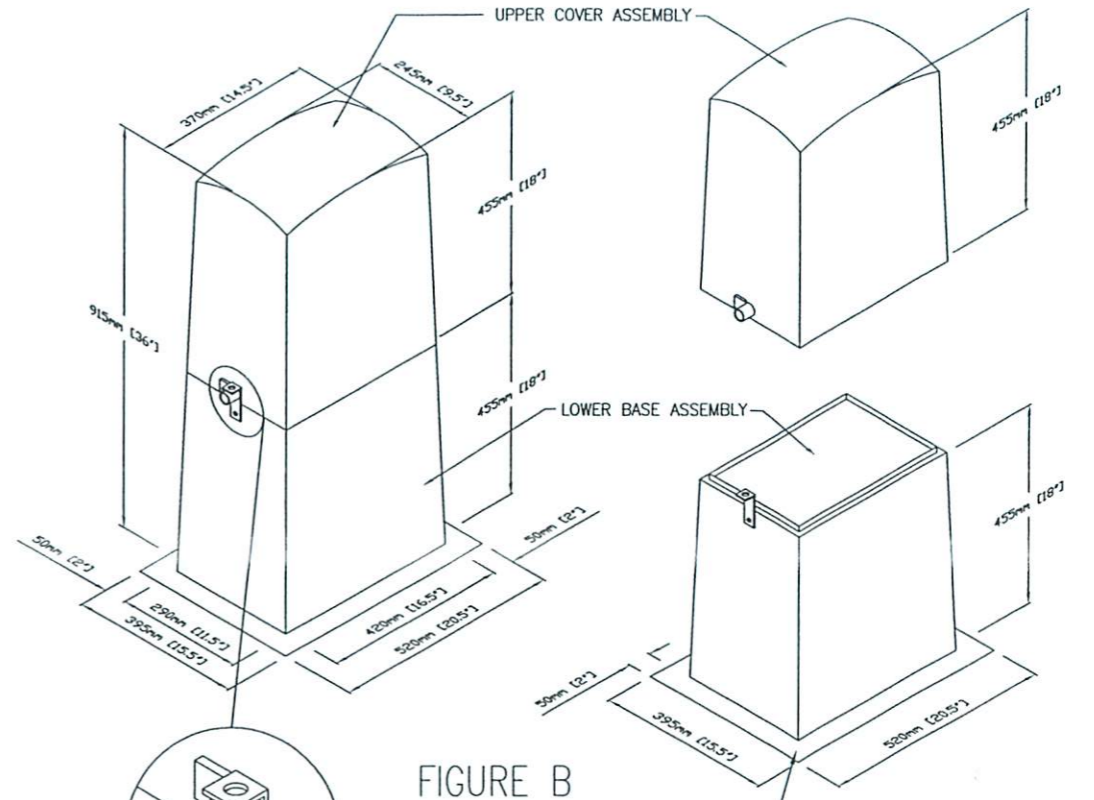


FIGURE B

FLANGE ON BASE ASSEMBLY
(APPROXIMATELY 50mm [2"] - 75mm [3"]
PROVIDES IMPROVED STABILITY

NOTES:

- 1) Not drawn to scale.
- 2) All dimensions are approximate.
- 3) Free-Standing Fibreglass Pedestal, Standard Colour - Green, Flexural Resistance utilizing glass fibre and resin construction, Ultraviolet (UV) stable gel-coat exterior.
- 4) Typical installation only. Variations are common based on site requirements.
- 5) All noted (*) details are provided as suggestions only, and are to be provided by others. All noted (*) details are not included with the Pedestal Mount.
- 6) While published statements are believed to be accurate, they are offered as suggestions only. Any use thereof is at the user's independent discretion.
- 7) This drawing remains the property of Interprovincial Corrosion Control Company Ltd.
- 8) Dimensions A, B, and C are Model Specific



No.	Date	By	Revision	Chk'd by	Date
0	FEB 10/2012	H.O.	ISSUED FOR APPROVAL		FEB 10/2012
1	MAR 21/2019	L.C.R	MODIFIED MOUNTING BRACKET AND ADDED DCD-ATEX	<i>FWL</i>	

INTERPROVINCIAL
CORROSION CONTROL
COMPANY LIMITED

930 Sheldon Court
Burlington Ontario Canada
Ph: (905) 634-7751 Fax: (905) 333-4313
www.Rustrol.com
Copyright 2019

Title
TYPICAL PEDESTAL MOUNT FOR
RUSTROL® SYSTEM
MODEL: SSP-ATEX, SSP-ETL, SSP-CUSTOM, DCD-ATEX, CI

Drawing No. SSP-14 Rev. 1