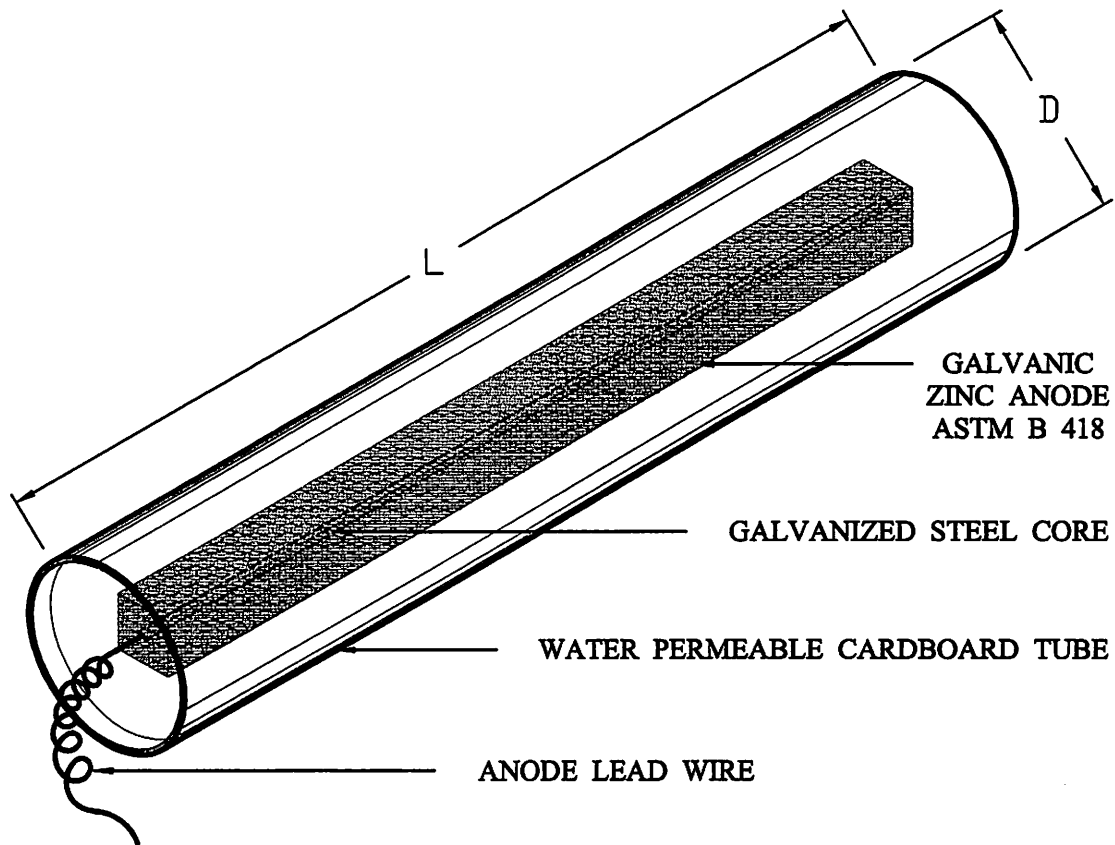


# INTERPROVINCIAL CORROSION CONTROL COMPANY LIMITED *(Since 1957)*

930 SHELDON COURT, BURLINGTON, ONTARIO  
Regional Offices: Calgary, Alberta & Montreal, Quebec  
TEL: (905) 634-7751 CENTRAL FAX: (905) 333-4313  
www.Rustrol.com



## 5" DIA. PACKAGED HIGH PURITY ZINC ANODES

ICCC PRODUCT CODE	NOMINAL NET WEIGHT* <i>(Zinc)</i>		NOMINAL PACKAGED WEIGHT*		STANDARD PACKAGING <i>(Water Permeable Cardboard Tube)</i>			
	LBS	Kg	LBS	Kg	D		L	
					INCHES	mm	INCHES	mm
6S1.4ZP	6	2.70	20	9.10	5	125	20	510
12S1.4ZP	12	5.40	40	18.10	5	125	30	760
24S1.4ZP	24	10.90	85	38.60	5	125	60	1525
36S2.0ZP	36	16.35	81	36.75	5	125	42	1065

\* Nominal ingot and packaged anode weights  $\pm 2\%$  as stated above

**ANODE LEAD WIRE:** Typical 10' (3m) AWG #10/7 stranded copper lead wire with RW90 white insulation,  
\**(Custom wire selection on request)*

**GALVANIC BACKFILL:** Benjamin Franklin Gypsum:  $77\% \pm 2\%$  \**(Custom backfill mix on request)*  
Wyoming Bentonite:  $15\% \pm 1\%$   
Sodium Sulphate:  $8\% \pm 1\%$

**ZINC ALLOY:** Specification ASTM B 418 *(Latest edition)*, Type II

DATE	DETAILED	CHECKED	DWG. NO.	REV.
NOV 11, 2009	M.A.	C.O.	PD-21	1