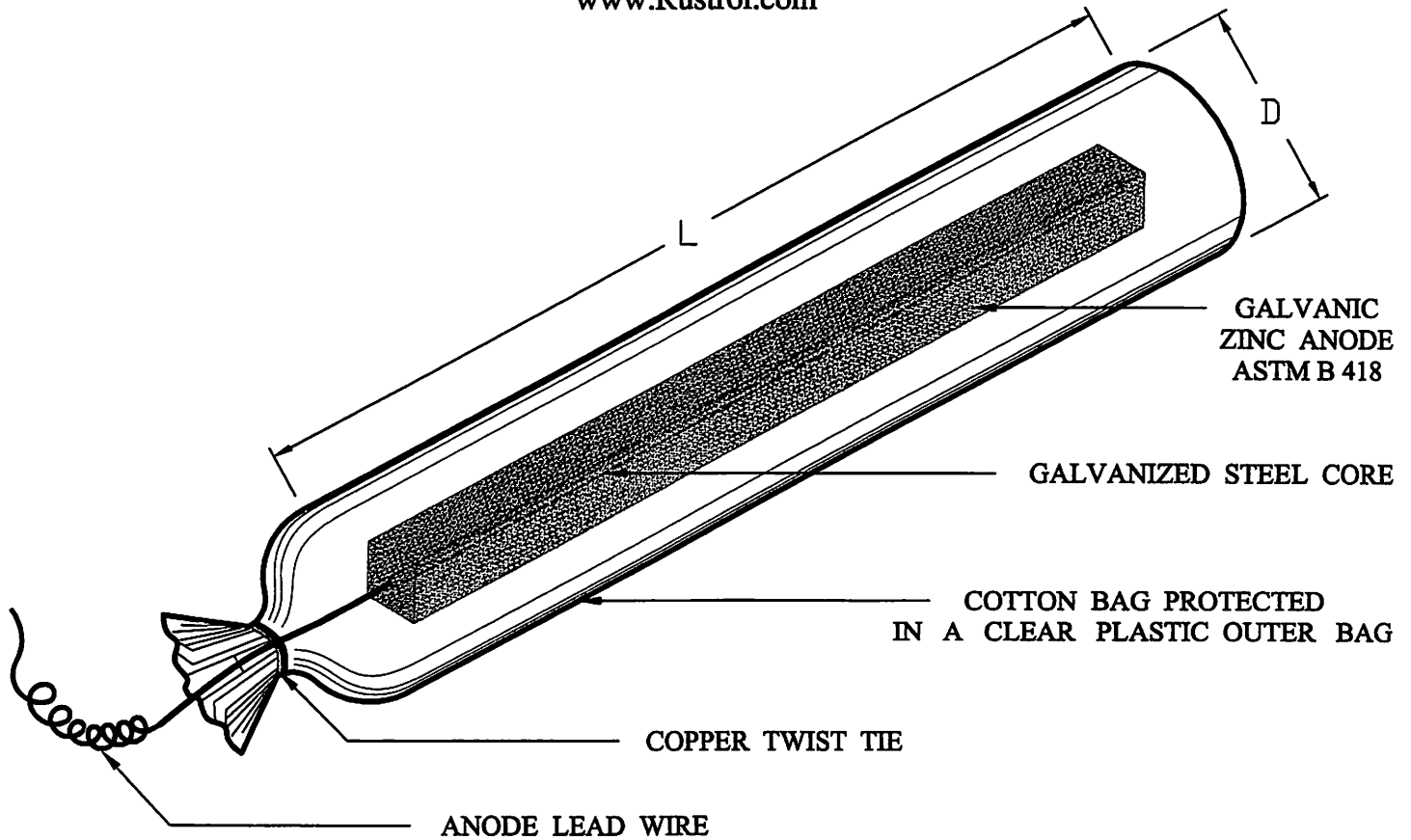


# INTERPROVINCIAL CORROSION CONTROL COMPANY LIMITED *(Since 1957)*

930 SHELDON COURT, BURLINGTON, ONTARIO  
Regional Offices: Calgary, Alberta & Montreal, Quebec  
TEL: (905) 634-7751 CENTRAL FAX: (905) 333-4313  
[www.Rustrol.com](http://www.Rustrol.com)



## 4" DIA. PACKAGED HIGH PURITY ZINC ANODES

ICCC PRODUCT CODE	NOMINAL NET WEIGHT* (Zinc)		NOMINAL PACKAGED WEIGHT*		STANDARD PACKAGING (Cotton Bag)			
	LBS	Kg	LBS	Kg	D		L	
					INCHES	mm	INCHES	mm
3S1.4ZP	3	1.40	9	4.10	4	100	10	255
5S1.4ZP	5	2.30	12	5.45	4	100	13 1/2	345
6S1.4ZP	6	2.73	14	6.35	4	100	16	405
12S1.4ZP	12	5.45	28	12.70	4	100	28	710
18S1.4ZP	18	8.20	40	18.15	4	100	39 1/2	1005
24S2.0ZP SHORT	24	10.91	42.5	19.25	4	100	36	915
24S1.4ZP	24	10.91	52	23.60	4	100	52	1320
30S1.4ZP	30	13.61	66	29.95	4	100	64	1625

\* Nominal ingot and packaged anode weights  $\pm 2\%$  as stated above

**ANODE LEAD WIRE:** Typical 10' (3m) AWG #10/7 stranded copper lead wire with RW90 white insulation,  
\*(Custom wire selection on request)

**GALVANIC BACKFILL:** Benjamin Franklin Gypsum: 77%  $\pm 2\%$  \*(Custom backfill mix on request)  
Wyoming Bentonite: 15%  $\pm 1\%$   
Sodium Sulphate: 8%  $\pm 1\%$

**ZINC ALLOY:** Specification ASTM B 418 (Latest edition), Type II

DATE	DETAILED	CHECKED	DWG. NO.	REV.
NOV 20, 2009	M.A.	C.O. (C)	PD-20B	0