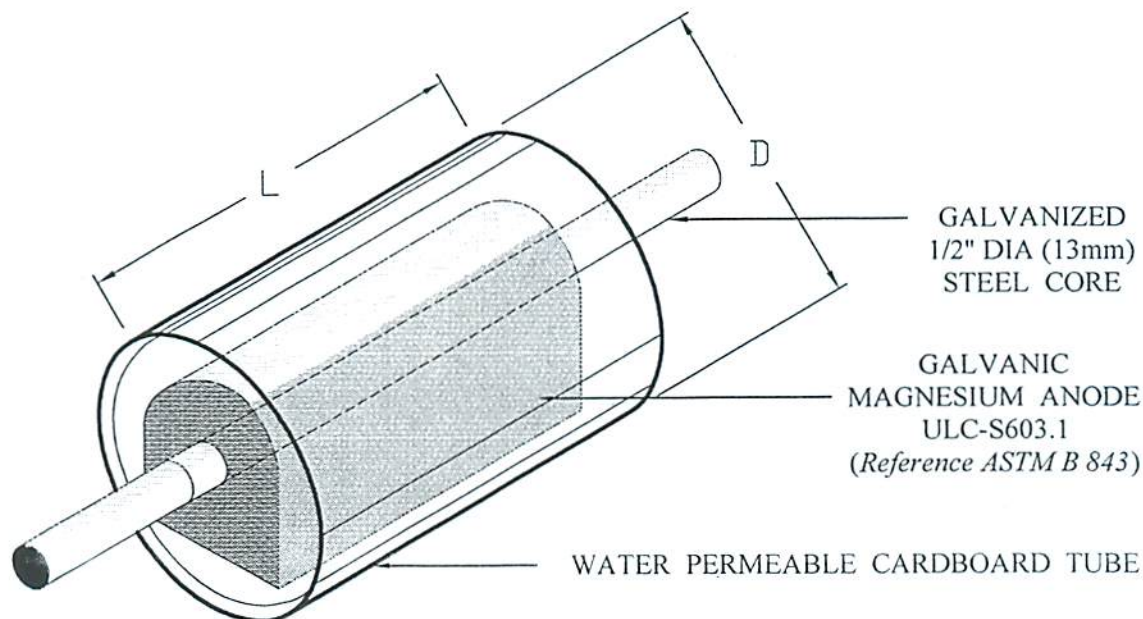


INTERPROVINCIAL CORROSION CONTROL COMPANY LIMITED *(Since 1957)*

930 SHELDON COURT, BURLINGTON, ONTARIO
 Regional Offices: Calgary, Alberta & Montreal, Quebec
 TEL: (905) 634-7751 CENTRAL FAX: (905) 333-4313
 www.Rustrol.com



"ULC LISTED" TANK ANODES REGULAR POTENTIAL MAGNESIUM

ICCC PRODUCT CODE	NOMINAL NET WEIGHT* (Magnesium)		NOMINAL PACKAGED WEIGHT*		STANDARD PACKAGING (Water Permeable Cardboard Tube)			
	LBS	Kg	LBS	Kg	D		L	
					INCHES	mm	INCHES	mm
9D3R-ULC	9.00	4.00	27	12	6.25	160	15.75	400



ULC-S603.1 UST
4kg
MAGNESIUM STANDARD POTENTIAL ANODE
80W0

ULC-S603.1 UST
4kg
ANODE EN MAGNÉSIUM À POTENTIEL NORMAL
80W0

MH27195

INTERPROVINCIAL CORROSION CONTROL COMPANY LIMITED
 BURLINGTON, ONTARIO
 Tel: 905-634-7751 www.Rustrol.com

* Nominal ingot and packaged anode weights ± 2% as stated above

NOTE: Weld-on Tank Anode AZ63 Magnesium Alloy, complete with 1/2" Dia (13mm) Galvanized Steel Core extending 2 3/8" beyond each end.

GALVANIC BACKFILL: Benjamin Franklin Gypsum: 75 - 80%
 Wyoming Bentonite: 15 - 20%
 Sodium Sulphate: 5 - 8%

MAGNESIUM ALLOY: Specification ASTM B 843 (Latest edition)

DATE	DETAILED	CHECKED	DWG. NO.	REV.
AUG 27, 2018	L.C.R.	A.E. <i>[Signature]</i>	PD-18	5