

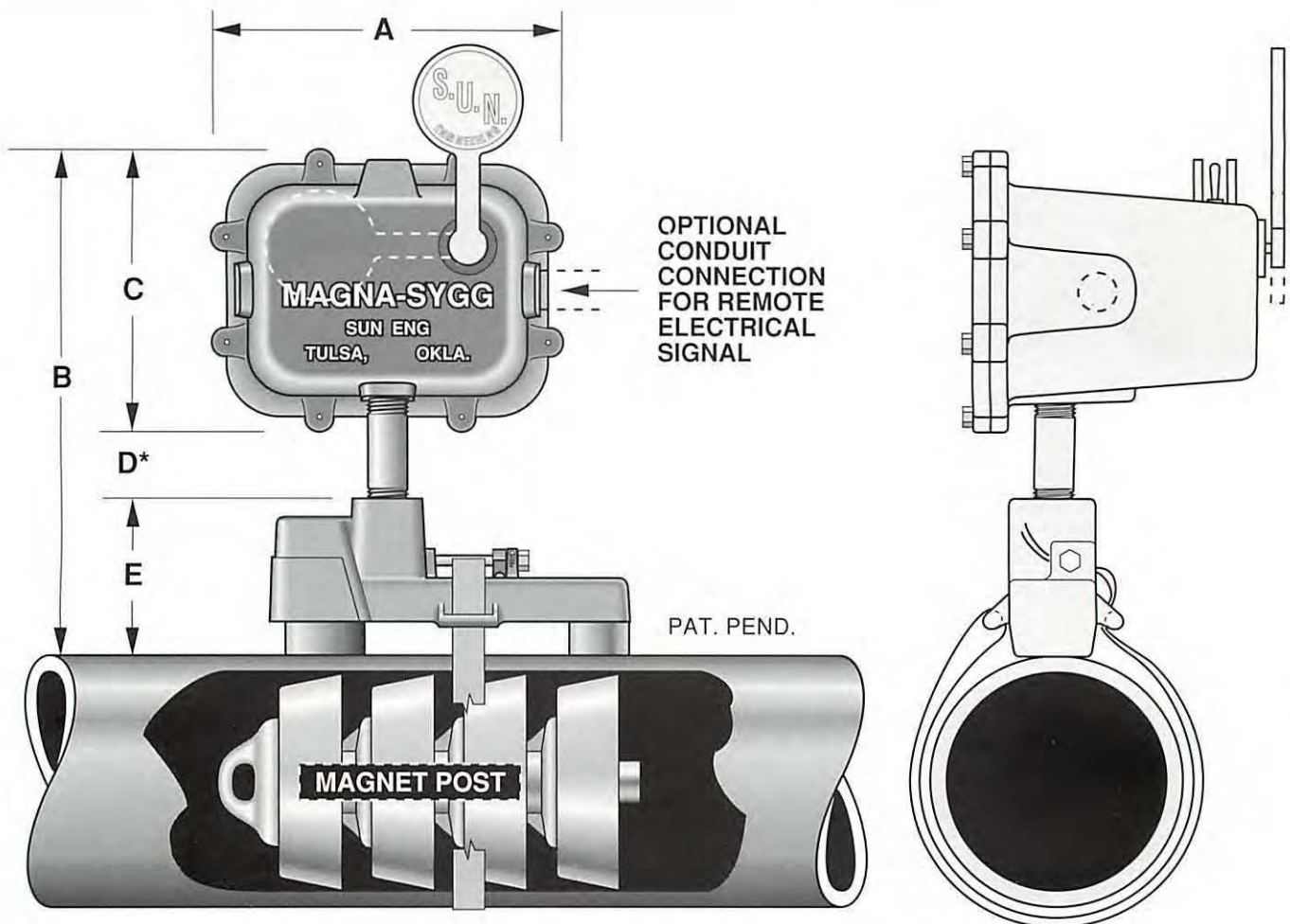


- **Non Intrusive**
- **Portable**
- **6 Volt Battery Pack or 24 Volt DC Connection**
- **Weatherproof Construction**
- **Built to NEMA Specifications**
- **SCADA Compatible**

The Magna-Sygg® from S.U.N. Engineering, Inc. is truly a nonintrusive pipeline pig detector. Simple and rugged it can be strapped to the surface of a pipe or it can be used as a portable detector. You do not have to shut down the pipeline and wait for an expensive crew to install special fittings, the Magna-Sygg® detector is ready to go to work. The basic unit is furnished with a manual reset flag, a lithium battery pack rated for a two year life span, and a DPDT relay for connecting to your control circuit. For permanent installations the Magna-Sygg® can be easily connected to twenty-four volt DC power sources without additional accessories or optional equipment. It is weather proof and can be configured for explosion proof environments. When connected to solar power or 24 volt

DC auxiliary power sources at remote metering and pump stations the Magna-Sygg® can provide reliable opening and closing of valves, actuation of controls and automatic pig launching. It is ideal for use in environments that could expose personnel to dangerous chemicals or gases.

Magna-Sygg® Detectors used in conjunction with a Super Pig equipped with S.U.N. Engineering's unique, flexible magnet arrangement have been successfully tested and used on 4" thru 48" pipelines. Our special magnets can also be conveniently installed in poly foam pigs when required. For more information on use and special applications contact S.U.N. Engineering, Inc. direct or one of its authorized distributors.



## S.U.N. MAGNET CARTRIDGE SPECIFICATIONS

ITEM	SIZE IN.	PIPE DIAMETERS	SOLID POST PIGS			HOLLOW POST PIGS				MULTI-SIZE PIGS
			.25"	.5"	.75"	.75"	1"	1.50"	—	
A	8"									To select the correct size magnet cartridge for multi-size pigs, select the magnet size that corresponds to the largest pipe diameter or cup size on the chart.
B	11.5"		2"	6"	12"	16"	24"	28"	30" and above, Call for Technical Support.	
C	6"		Thru 4"	Thru 10"	Thru 14"	Thru 22"	Thru 26"	Thru 36"		
D	*									
E	4.375"									
NET WGT.	15 LBS.									
*D - 3" Std. Nipple. Longer pipe lengths can be used.			NOTE: The MAGNA-SYGG® Detector used in conjunction with a S.U.N. Magnet Cartridge has been extensively tested on standard pipe wall sizes. If the MAGNA SYGG® Detector will be used on heavy wall pipe, multi-size lines, or with a metal body cleaning pig, call the factory for additional information.							