

CONTINUOUS OPERATION FOR OVER 150 YEARS

# BINGHAM

# &

# T

# A

# Y

# L

# O

# R

**Introducing  
our expanded line  
of  
CATHODIC  
TEST BOXES**



Distributed by:  
Interprovincial Corrosion Control Co. Ltd.  
930 Sheldon Court, Burlington, Ontario L7L 5K6  
Telephone: (905) 634 7751  
Fax: (905) 333 4313  
Website: [www.Rustrol.com](http://www.Rustrol.com)

**Quality Products  
Made in America**

**CATALOG #11**

## 2 1/2" SHAFT CATHODIC PROTECTION TEST BOXES



**P225 SR Series**



**P202CNG TEST**

Catalog Number	Shaft Size ID	Lid Size O.D.	Approx. Wt. Lbs
<b>P225 SR Series</b>	<b>2 1/2"</b>	<b>3"</b>	<b>2</b>
<b>P202CNG TEST</b>	<b>2 1/2"</b>	<b>3 1/2"</b>	<b>2</b>

### ~Features and Options Available:

- Plastic rim with cast iron lids, ABS plastic body
- Test readings available without removing lid
- Pre-wired test stations with varying wire gauges, colors, lengths
- Lids available in drop turn locking and mechanical locking designs
- Telescoping test stations with separate top and bottom sections
- Custom lettering on lid available
- Available with or without flared or squared base to prevent pull-out or settling
- Length of box as desired by customer
- Terminals can also be secured in place beneath lid

## 2 1/2" SHAFT CATHODIC TEST BOXES



**P200NFG TEST**



**P200 TEST**

Catalog Number	Shaft Size ID	Lid Size O.D.	Approx. Wt. Lbs
<b>P200 TEST</b>	<b>2 1/2"</b>	<b>4"</b>	<b>3</b>
<b>P200 NFG TEST</b>	<b>2 1/2"</b>	<b>3 1/4"</b>	<b>3</b>

### ~ Features and Options Available:

- Cast Iron rim and lid, ABS plastic body
- Lids available in drop turn locking and mechanical locking designs
- Terminal blocks available in varying designs with multiple terminals
- Telescoping test stations with separate top and bottom sections
- Length of box as desired by customer
- Available with or without flared or squared base to prevent pull-out or settling
- Custom lettering on lid available
- These boxes can also be utilized as a tracer wire or locating box

## 3" SHAFT CATHODIC PROTECTION TEST BOXES



**P306 TEST**



**P334DT TEST**

Catalog Number	Shaft Size ID	Lid Size O.D.	Approx. Wt. Lbs
<b>P334DT TEST</b>	<b>3"</b>	<b>4 1/2"</b>	<b>7</b>
<b>P306 TEST</b>	<b>3"</b>	<b>5 3/4"</b>	<b>11</b>

### ~ Features and Options Available:

- Cast iron rim and lid, ABS plastic
- Lids available in drop turn locking and mechanical locking designs
- Terminal blocks available in varying designs with multiple terminals
- Telescoping test stations with separate top and bottom sections
- Available with or without flared base to prevent pull-out or settling
- Length of box as desired by customer
- Custom lettering on lid available

## 4" SHAFT CATHODIC PROTECTION TEXT BOXES



**P445 DT TEST**



**E.T.C. TEST**

Catalog Number	Shaft Size ID	Lid Size O.D.	Approx. Wt. Lbs
<b>P445 DT TEST</b>	<b>4"</b>	<b>4 3/4"</b>	<b>5</b>
<b>E.T.C. TEST</b>	<b>4"</b>	<b>5 1/2"</b>	<b>7</b>

### ~ Features and Options Available:

- Cast iron rim and lid, ABS plastic body
- Lids available in drop turn locking and mechanical locking designs
- Terminal blocks available in varying designs with multiple terminals
- Telescoping test stations with separate top and bottom sections
- Available with or without flared base to prevent pull-out or settling
- Custom lettering on lid available
- Length of box as desired by customer

## 4" SHAFT CATHODIC PROTECTION TEST BOXES



**P475SQ. TEST**



**P465 TEST**

Catalog Number	Shaft Size ID	Lid Size O.D.	Approx. Wt. Lbs
<b>P475SQ. TEST</b>	<b>4"</b>	<b>4 3/4"</b>	<b>13</b>
<b>P456 TEST</b>	<b>4"</b>	<b>4 1/2"</b>	<b>14</b>

### ~ Features and Options Available:

- Cast iron rim and lid, ABS plastic body
- Drop in lid designs only
- Custom lettering on lid available
- Terminal blocks available in varying designs with multiple terminals
- Telescoping test stations with separate top and bottom sections
- Length of box as desired by customer
- Available with or without flared base to prevent settling
- Paving risers available for P465 Test Box 3/4 - 2"

## 5" SHAFT CATHODIC PROTECTION TEST BOXES



**P525RD TEST**



**P525SQ TEST**



**EQ-5 TEST**

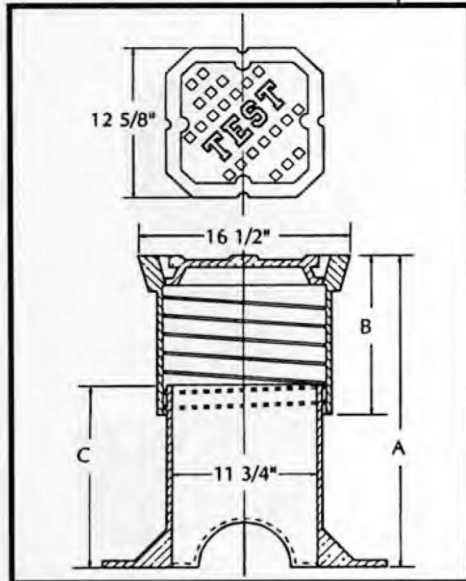
Catalog Number	Shaft Size ID	Lid Size O.D.	Approx. Wt. Lbs
P525RD TEST	5 1/4"	7 1/2"	26
P525SQ TEST	5 1/4"	6" Sq.	23
EQ-5 TEST	5 1/4"	6"	23

### ~ Features and Options Available:

- Cast Iron rim and lid, ABS plastic body
- Drop in lid designs only
- Custom lettering on lid available
- Terminal blocks available in varying designs with multiple terminals
- Telescoping test stations with separate top and bottom sections
- Length of box as desired by customer
- Available with or without flared base to prevent settling
- Paving risers available for P525RD Test and EQ-5 Test

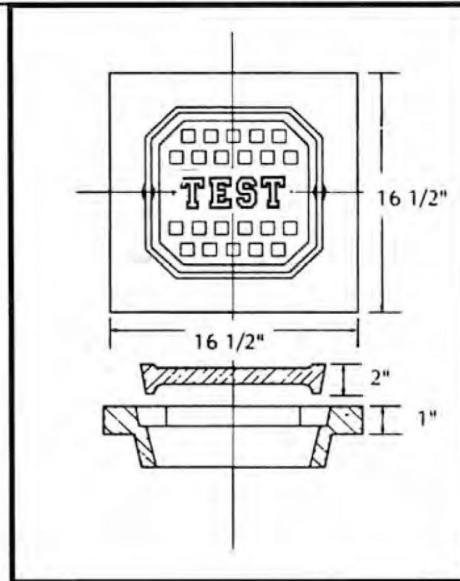
# CAST IRON ROADWAY TEST BOXES

----- FIG. #6012 -----



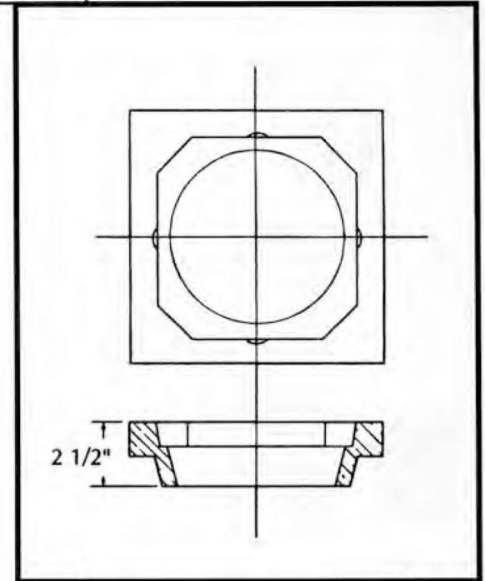
**Fig. No. 6012**

12" Shaft 2 Piece  
Adjustable  
Valve Box



**Fig. No. 6012-A**

1" Raise - 55 Pounds  
1 1/2" Raise - 67 Pounds  
Special Cover - 27 Pounds



**Fig. No. 6012-B**

2 1/2"  
Weight - 95 Pounds  
Cover - 40 Pounds  
(Use existing box cover)

No.	Extension Range - A	Top & Cover		Bottom		Total Weight
		Wt.	Dim. B	Wt.	Dim. C	
200	18-26	145	13	66	15 1/4	211
201	24-37	173	18 3/4	77	21 1/4	250

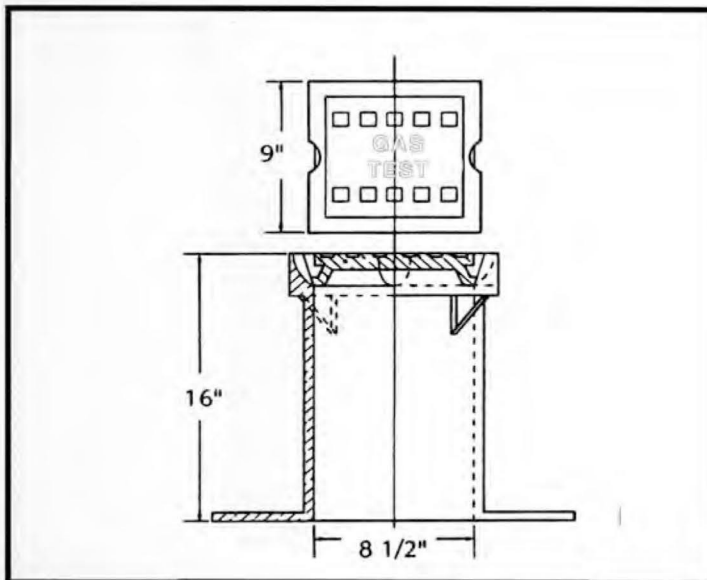
*Weight of Cover Only = 40 Pounds*

## ~ Features and Options Available:

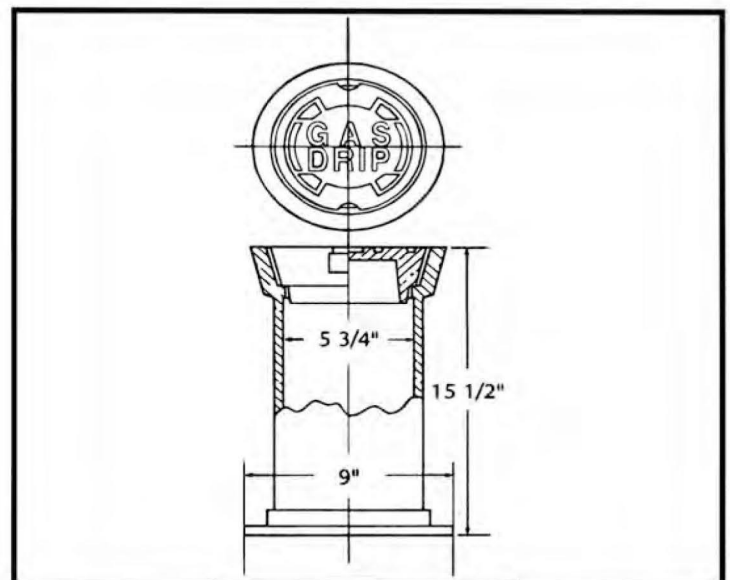
- Lids available in drop in and mechanical locking designs
- Custom lettering on lid available
- Extra large 12" round shaft screw type adjustable
- Extension available to extend box 12", Fig. 6012-X, weight 50 lbs
- Adapters available for raising box 1", 1 1/2", and 2 1/2"  
(as shown in Fig. 6012-A and Fig. 6012-B above)
- 4" x 7" Arch; 22" Bottom Flange



# CAST IRON ROADWAY TEST BOXES



**Fig. No. 6007**  
No. 178 Square Head Drip Box



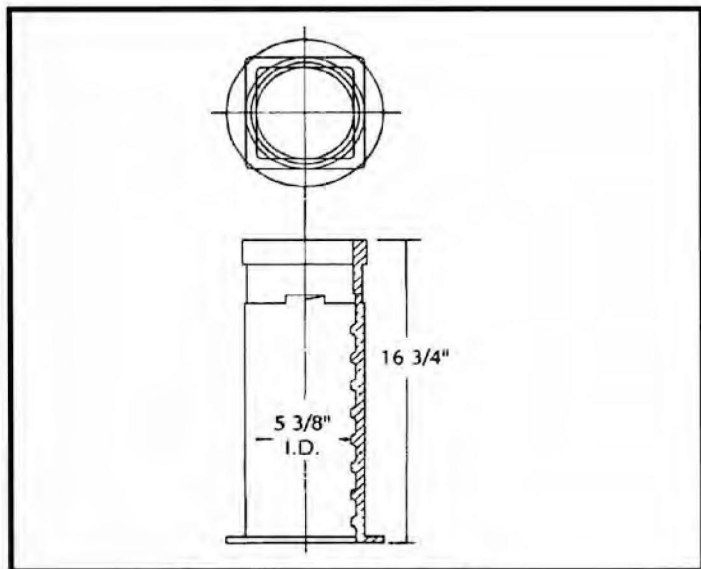
**Fig. No. 6005**  
No. 55 Drip Box

No.	Length	Total Wt.	
178	16" Long	99	
55	15 1/2" Long	Round	Square
		45 lbs.	39 lbs.

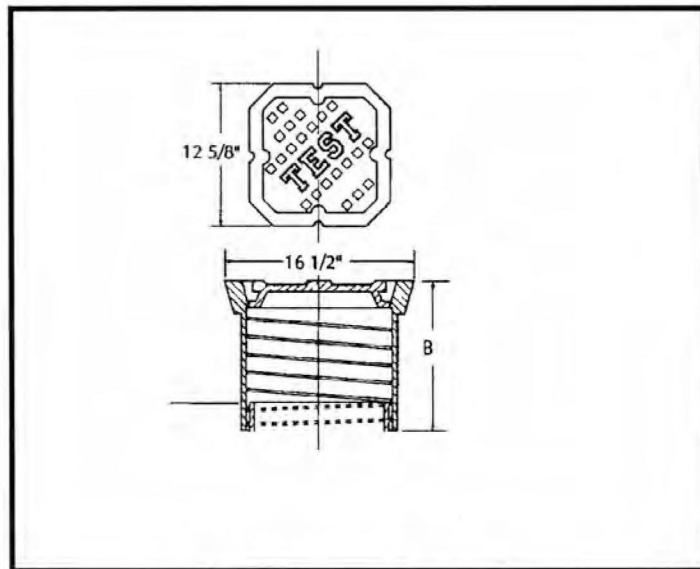
## ~ Features and Options Available:

- Lids available in drop-in design for both the #178 and #55  
Locking design available for #55 box only
- Custom lettering on lid available
- #178 has 14" square flange at bottom to prevent pull-out or settling
- Risers available for #178 in 1" using special cover, and 2 1/2" using existing cover
- #55 Test box can be furnished with round head or square head
- Multiple risers available for the round head #55 Test box

## CAST IRON ROADWAY TEST BOXES



**Fig. No. 6004**  
No. 106 Drip Box



**Fig. No. 6003**  
No. 48

No.	Length	Total Wt.
106	16 3/4"	35lbs
48	18 3/4"	189 lbs

### ~ Features and Options Available:

- Lids available in drop-in design, as well as mechanical locking for the #48 only
- Custom lettering on lid available
- Risers available for #48 test box in 1" and 1 1/2" using special cover,  
(riser available in 2 1/2" using existing cover)
- Both test boxes are flanged at bottom to prevent pull-out or settling
- Risers available for #106 in 3/4" and 1" using existing cover



## **BINGHAM & TAYLOR IS COMMITTED...**

*to be your key to corrosion monitoring. We are committed to providing our customers with a quality product delivered on time.*

*The research and development team at Bingham & Taylor is a proud group ready to work with you on specific design needs.*



### **Limited Warranty Statement**

Seller will replace or repair, at the option of Seller, free of charge, any product which had failed in normal use and service within 90 days of date of passage of title to Buyer due to defects in material or workmanship. Seller must be given prompt written notice of such failure, and the product must be returned to Seller.

The provisions of this warranty shall not apply to any product which has not been properly installed, or subjected to misuse, negligence or accident or which shall have been repaired or altered in any way so as, in the judgement of Seller, to affect adversely its performance and reliability nor to any product which is used for a purpose for which it is not designed.

This warranty to replace or repair defective products is buyer's exclusive remedy and is expressly in lieu of and is hereby in disclaimer of any implied warranties or merchantability and fitness for a particular purpose as well as all other implied warranties, in law or equity, and of all other obligations or liabilities on seller's part. Seller's agreement hereunder runs only to buyer and does not extend expressly or by implication to any other person. In the event seller shall be liable for incidental or consequential damages, loss of anticipated profit or other economic loss.

In the event that the other remedies fail of their essential purpose. Buyer's sole and exclusive remedy shall be, upon return of the goods, the refund of whatever portion of the purchase price has been paid.

### **Termination**

Seller may, at its option, terminate this agreement whenever Buyer shall fail to comply with any of the provisions hereof.

# BINGHAM & TAYLOR

