

## Cathodic Protection Rectifier Benchmark Air Series:

**Integrated Rectifier Technologies Benchmark Series** rectifier provides a quality product specifically designed to meet the requirements of our clients. Used in applications where cost can be a factor; this series is not supplied with the full line of advanced features of the Advantage Series.

### **Standard Features:**



- ◆ Single door cabinet with removable panel
- ◆ Nema 3R rated cabinet, lockable
- ◆ Available in 14 gauge polyester powder coated steel
- ◆ All cabinet hardware stainless steel, all brass/copper hardware has electroless nickel plated finish
- ◆ Available with pole or wall mounting
- ◆ Single-phase inputs available
- ◆ 25 output steps, terminal block adjustment
- ◆ Transformer min. 95% efficient, Class H temperature rated

- ◆ Overload / short protection provided by fully magnetic trip circuit breaker and fusing
- ◆ Silicon diode rectification bridge c/w surge protection
- ◆ Single 3 ½ " switched DC metering, accuracy +/- 2%
- ◆ Standard MOV AC and DC lightning protection on all rectifiers
- ◆ -50 to +45 Celsius operating ambient
- ◆ One year Warranty
- ◆ Limited line of options available
- ◆ CSA approved



### **INTEGRATED RECTIFIER TECHNOLOGIES, INC.**

Distributed by:  
Interprovincial Corrosion Control Co. Ltd.  
930 Sheldon Court  
Burlington, Ontario L7L 5K6  
Telephone: (905) 634 7751  
Fax: (905) 333 4313

# Benchmark Air Series Model Coding

## BMASAS 40-16 M

BENCHMARK LINE MODEL

AIR-COOLED TYPE

SILICON RECTIFIER TYPE

AC INPUT

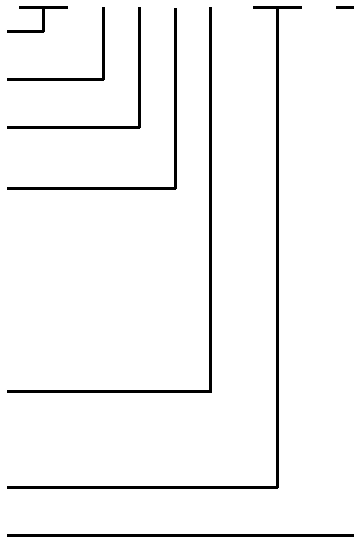
A - 115 VAC      F - 115/230 VAC  
 B - 208 VAC      G - 230/460 VAC  
 C - 230 VAC  
 D - 416 VAC  
 E - 460 VAC

AC PHASE

S - SINGLE PHASE

DC VOLTAGE RATING

DC CURRENT RATING

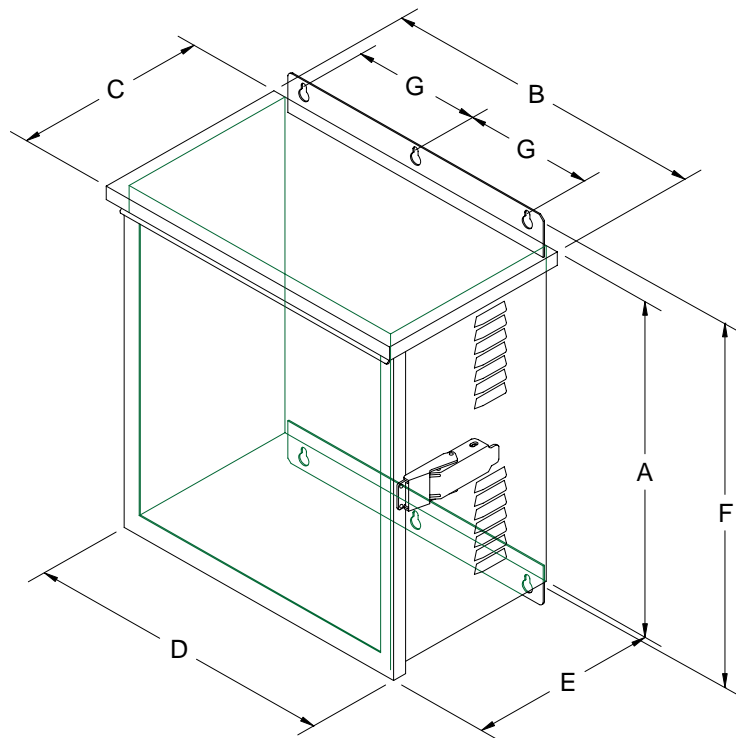


COMMON OPTIONAL FEATURES

- A - ALARM CIRCUIT \*\*
- C - COMMUNICATIONS FILTER (CAPACITOR / CHOKE)
- D - UPGRADED DIODE VOLTAGE (PIV) RATING
- E - EFFICIENCY FILTER (CHOKE)
- G - GFI CONVENIENCE OUTLET
- I - INTERRUPTER CIRCUIT
- J - NON-STANDARD AC INPUT FREQUENCY (50 Hz.)
- L - EXTRA DC OUTPUT LUG TERMINALS
- M - EXTRA DC OUTPUT METER
- N - AUXILIARY NEGATIVE OUTPUT CIRCUIT \*\*
- O<sub>b</sub> - SEALED METER SWITCH
- P - AUXILIARY POSITIVE OUTPUT CIRCUIT \*\*
- R - POTENTIAL METER
- S - NON-STANDARD SURGE PROTECTION (AC or DC)
- Y - SPECIAL TEST, DOCUMENT OR LABEL REQUIREMENT
- Z - NON-LISTED OPTIONAL FEATURE (consult factory)

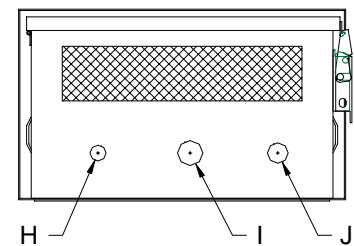
\*\* - Option details available on Website: [www.irtrectifier.com](http://www.irtrectifier.com)

### TYPICAL B-1 SIZE ENCLOSURE



NOTE: ENCLOSURES ARE SUPPLIED WITH  
 (6) KEYHOLES SIZED FOR A MAXIMUM  
 5/16 (0.313") MOUNTING BOLT (B-1) AND  
 3/8 (0.375") MOUNTING BOLT (B-2)

BOTTOM VIEW



ENCL. SIZE	ENCLOSURE DIMENSIONS (")									
	A	B	C	D	E	F	G	H	I	J
B-1	18.500	17.750	10.500	16.875	10.000	20.000	7.000	0.875 (1) 1/2" KO	1.375 (1) 1" KO	1.125 (1) 3/4" KO
B-2	28.125	20.875	13.000	20.500	12.250	29.500	7.000	0.875 (1) 1/2" KO	1.375 (1) 1" KO	1.125 (1) 3/4" KO