

## Cathodic Protection Rectifier Advantage Air Series:

**Integrated Rectifier Technologies Advantage Series** rectifier provides a quality product specifically designed to meet the requirements of our clients. Used in the majority of applications; this series has a multitude of options available.

### **Standard Features:**



- ◆ Removable 3-door cabinet with slide out frame
- ◆ Nema 3R rated cabinet, lockable
- ◆ Available in 12 gauge polyester powder coated steel or 11 gauge hot dipped galvanized steel
- ◆ All cabinet hardware stainless steel, all brass/copper hardware has electroless nickel plated finish
- ◆ Available with pole / wall or base mounting bracket
- ◆ Single and three phase inputs available
- ◆ Minimum 25 output steps, tap link bar adjustment
- ◆ Transformer min. 95% efficient, Class H temperature rated

- ◆ Overload / short protection provided by fully magnetic trip circuit breaker and fusing
- ◆ Silicon diode rectification bridge with surge protection
- ◆ 3 ½ " continuous readout DC metering, Accuracy +/- 2%
- ◆ High energy AC and DC lightning protection on all rectifiers
- ◆ -50 to +45 Celsius operating ambient
- ◆ One year Warranty
- ◆ Full line of options available
- ◆ CSA approved



## **INTEGRATED RECTIFIER TECHNOLOGIES, INC.**

Distributed by:  
Interprovincial Corrosion Control Co. Ltd.  
930 Sheldon Court  
Burlington, Ontario L7L 5K6  
Telephone: (905) 634 7751  
Fax: (905) 333 4313

# Advantage Air Series Model Coding

## ADASFS 60-42 B

ADVANTAGE LINE MODEL

AIR-COOLED TYPE

SILICON RECTIFIER TYPE

AC INPUT

- A - 115 VAC
  - B - 208 VAC
  - C - 230 VAC
  - D - 416 VAC
  - E - 460 VAC
  - F - 115/230 VAC
  - G - 230/460 VAC
  - H - 600 VAC
  - Z - OTHER INPUT
- CONSULT FACTORY

AC PHASE

- S - SINGLE PHASE
- T - THREE PHASE

DC VOLTAGE RATING

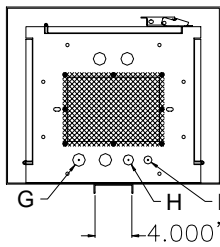
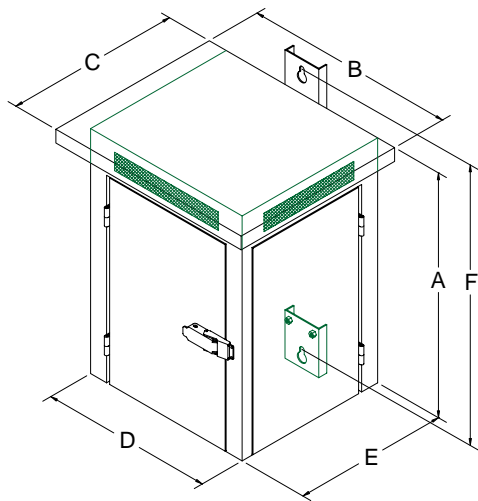
DC CURRENT RATING

COMMON OPTIONAL FEATURES

- A - ALARM CIRCUIT \*\*
- B - BASE MOUNTING LEGS (12" Typical) \*\*
- C - COMMUNICATIONS FILTER (CAPACITOR / CHOKE)
- D - UPGRADED DIODE VOLTAGE (PIV) RATING
- E - EFFICIENCY FILTER (CHOKE)
- F - NON-STANDARD ENCLOSURE FINISH \*\*
- G - GFI CONVENIENCE OUTLET \*\*
- I - INTERRUPTER CIRCUIT
- J - NON-STANDARD AC INPUT FREQUENCY (50 Hz.)
- L - NON-STANDARD DC LUG TERMINALS \*\*
- M - EXTRA RECTIFIER METER \*\*
- N - AUXILIARY NEGATIVE OUTPUT CIRCUIT \*\*
- O - METER SWITCH \*\*
- P - AUXILIARY POSITIVE OUTPUT CIRCUIT \*\*
- Q - NON-STANDARD TRANSFORMER ADJUSTMENT \*\*
- R - POTENTIAL METER
- T - EXTENDED TEMPERATURE RATING
- X - EXPORT CRATING
- Y - SPECIAL TEST, DOCUMENT OR LABEL REQUIREMENT
- Z - NON-LISTED OPTIONAL FEATURE (consult factory)

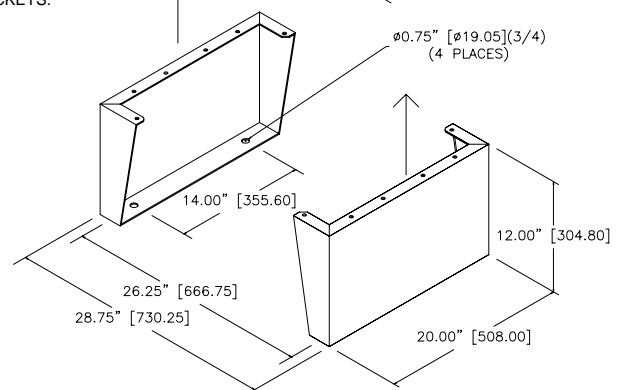
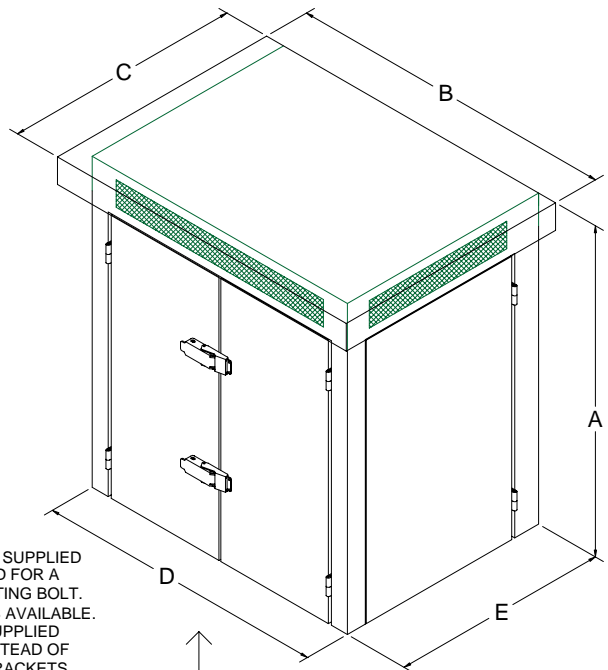
\*\* - Option details available on Website: [www.irtrectifier.com](http://www.irtrectifier.com)

TYPICAL A-2 OR A-3 SIZE ENCLOSURE



NOTE: A-2 & A-3 ENCLOSURES ARE SUPPLIED WITH (2) KEYHOLES SIZED FOR A MAXIMUM 5/8" (0.625") MOUNTING BOLT. OPTIONAL BASE MOUNTING IS AVAILABLE. A-4 ENCLOSURES ARE SUPPLIED WITH BASE MOUNTING INSTEAD OF WALL / POLE MOUNTING BRACKETS.

TYPICAL A-4 SIZE ENCLOSURE



ENCL. SIZE	ENCLOSURE DIMENSIONS (")								
	A	B	C	D	E	F	G	H	I
A-2	26.625	23.25	19.25	19.00	17.00	30.50	1.375 (4) 1" KO	1.125 (1) 3/4" KO	0.875 (1) 1/2" KO
A-3	32.625	26.25	24.25	22.00	22.00	36.50	1.375 (4) 1" KO	1.125 (1) 3/4" KO	0.875 (1) 1/2" KO
A-4	36.00	36.25	26.25	32.00	24.00	N/A	1.984 (4) 1 1/2" KO	1.375 (1) 1" KO	1.125 (1) 3/4" KO