

INTERPROVINCIAL CORROSION CONTROL COMPANY LIMITED (Since 1957)

930 SHELDON COURT, BURLINGTON, ONTARIO
Regional Offices: Calgary, Alberta & Montreal, Quebec
TEL: (905) 634-7751 CENTRAL FAX: (905) 333-4313
www.Rustrol.com

ANODE/PIPE CLAMPS

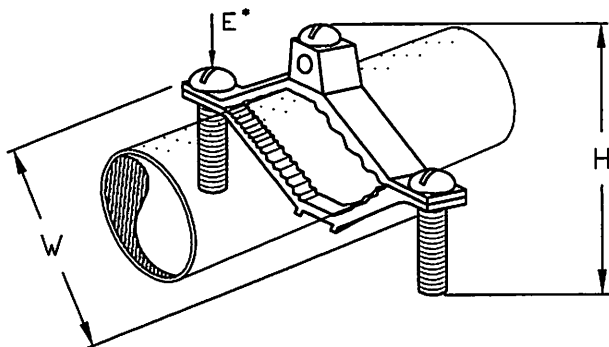


FIG. A

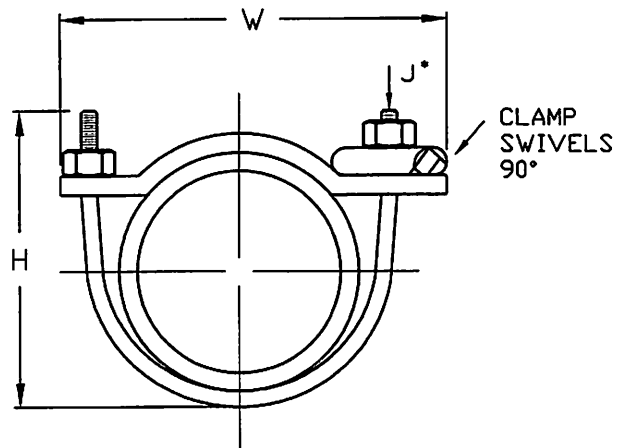


FIG. B

SELECTION CHART

PRODUCT CODE	IPS SIZE	O.D. RANGE	ANODE LEAD WIRE RANGE	DIMENSIONS				RECOMMENDED TIGHTENING TORQUE
				H		W		
				INCHES	mm	INCHES	mm	
FIGURE A:								
GA2XX	1/2"-1"	0.84"-1.32"	#12 - #2 STR. CU.	2.50	63.50	2.25	57.15	N/A
GA3XX	1 1/4"-2"	1.66"-2.36"		3.40	86.35	3.625	92.00	
FIGURE B:								
GAR3904-BU	2 1/2"-3 1/2"	2.88"-4.00"	#4-4/0 AWG	6.50	165.10	6.00	152.40	240 inch-lbs.
GAR3905-BU	4"-5"	4.50"-5.56"		7.50	190.50	7.50	190.50	
GAR3906-BU	6"	6.62"		8.50	215.90	8.62	218.95	
GAR3907-BU	8"	8.62"		10.00	255.00	10.62	269.75	
GAR3908-BU	10"	10.75"		12.00	305.00	12.75	25.40	
GAR3909-BU	12"	12.75"		14.00	355.60	14.75	374.65	

All dimensions are governed by Imperial Measurement

MATERIAL: - Silicone Bronze (GA2XX & GA3XX Type)
- Bronze with Silicone Bronze hardware (GAR-BU Type)

FEATURES: CSA certified
 Corrosion resistant
 Acceptable for direct burial
 Ideal for connecting anode lead wire to water pipes

* Bolt dimensions: E - GA2XX: 1/4" Dia - 12 x 1 1/2"
- GA3XX: 5/16" Dia - 18 x 2"
J - GAR-BU: 3/8" Dia - 16

Thomas & Betts, Burndy or equivalent products are available for delivery.

Source: Burndy Catalogue

DATE	DETAILED	CHECKED	DWG. NO.	REV.
DEC 1, 2009	M.A.	C.O.	PD-24	0