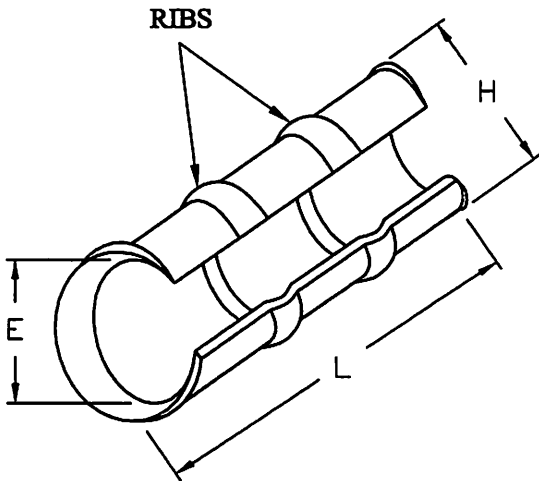


INTERPROVINCIAL CORROSION CONTROL COMPANY LIMITED (Since 1957)

930 SHELDON COURT, BURLINGTON, ONTARIO
Regional Offices: Calgary, Alberta & Montreal, Quebec
TEL: (905) 634-7751 CENTRAL FAX: (905) 333-4313
www.Rustrol.com

C-TAPS CONNECTORS



PRODUCT CODE	NO OF RIBS	DIMENSIONS						COLOR CODE
		L		H		E		
		INCHES	mm	INCHES	mm	INCHES	mm	
54705	0	N/A	N/A	N/A	N/A	N/A	N/A	Red
54710	0	0.56	14.20	0.44	11.20	0.14	3.55	Blue
54715	0	0.56	14.20	0.63	16.00	0.17	4.30	Gray
54720	1	1.16	29.45	0.69	17.55	0.22	5.80	Brown
54725	1	1.16	29.45	0.81	20.55	0.25	6.35	Green
54730	1	1.16	29.45	0.84	21.35	0.28	7.10	Pink
54735	2	1.69	42.95	0.88	22.35	0.33	8.40	Black
54740	2	1.69	42.95	0.97	24.65	0.36	9.15	Orange
54745	2	1.69	42.95	1.06	26.90	0.41	10.40	Purple
54750	2	1.69	42.95	1.19	30.25	0.47	11.95	Yellow

SELECTION CHART

MAIN	BRANCH							
	#12 Sol. or Str.	#10 Sol. or Str.	#8 Sol. or Str.	#6 Sol. or Str.	#4 Str.	#2 Str.	#12 Sol. or Str.	#12 Sol. or Str.
#10 Sol. or Str.	54705	54710	54715	54715	54720	54730	54735	54740
#8 Sol. or Str.	54710	54715	54715	54720	54720	54730	54735	54740
#6 Sol. or Str.	54715	54715	54720	54720	54725	54730	54735	54740
#4 Str.	54720	54720	54720	54725	54730	54735	54740	54740
#2 Str.	54730	54730	54730	54730	54735	54740	54745	54745
#1 Str.	54735	54735	54735	54735	54740	54745	54745	54750
1/0 Str.	54740	54740	54740	54740	54740	54745	54750	54750
2/0 Str.	54745	54745	54745	54745	54745	54750	54750	N/A
3/0 Str.	54750	54750	54750	54750	54750	54750	N/A	N/A

All dimensions are governed by Imperial Measurement

MATERIAL: High conductivity wrought copper

FINISH: Plain

FEATURES: UL approved for direct burial
 Ideal for pigtail, 2-way splicing, or tapping to an unbroken continuous main
 Assures low resistance and high pullout values

Thomas & Betts, Burndy or equivalent products are available for delivery.

Source: Thomas & Betts Products Catalogue

DATE	DETAILED	CHECKED	DWG. NO.	REV.
NOV 27, 2009	M.A.	C.O. (2)	PD-22	0