

LITTLE FINK[®]

Cathodic Protection Test Station



LITTLE FINK®

The **LITTLE FINK**® cathodic protection test station is a 2 or 3 lead version of the **Big FINK**®. Since 1977 its rugged, maintenance free construction has served pipeline companies world wide. Manufactured by Cott in its Pittsburgh and Los Angeles factories, the **LITTLE FINK**® is available from Cott distributors worldwide.

Features:

CP Test Station

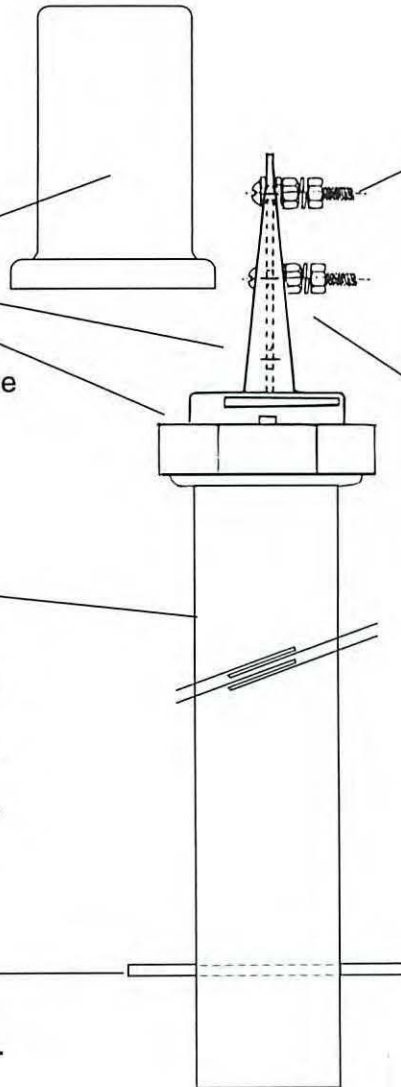
Cap, Terminal Board and Collect Nut made from Makrolon® polycarbonate. One of the toughest plastics in the world.

Support Post

COTTPipe® PE (Standard) polyethylene blend has over 20 years of proven durability. **COTTPipe**® PC (optional) polycarbonate is available for the toughest applications. Standard length 6 feet - available to 40 feet.

Anchor

COTTPipe® PE is easily installed and prevents pullout.



Hardware

Standard nickel plated brass or optional stainless steel for guaranteed long service life. Up to 3 terminals accessible from both sides of the board.

Accessories

All **LITTLE FINK**® terminal boards can accommodate **COTTShunts**®, Burndy connectors, Cott bonding/shorting straps, Banana Jacks, locking devices, lightning arrestors and flange mounting brackets.

Colors

Red, Orange, Yellow, Green, Blue, White and Black are standard on **LITTLE FINK**® and **COTTPipe**®. Any color is available as an option.

Sizes

Available in models to fit ¾" and 1¼" pipe.

COTT
Manufacturing Co.

Distributed by:
Interprovincial Corrosion Control Co. Ltd.
930 Sheldon Court
Burlington, Ontario L7L 5K6
Telephone: (905) 634 7751
Fax: (905) 333 4313